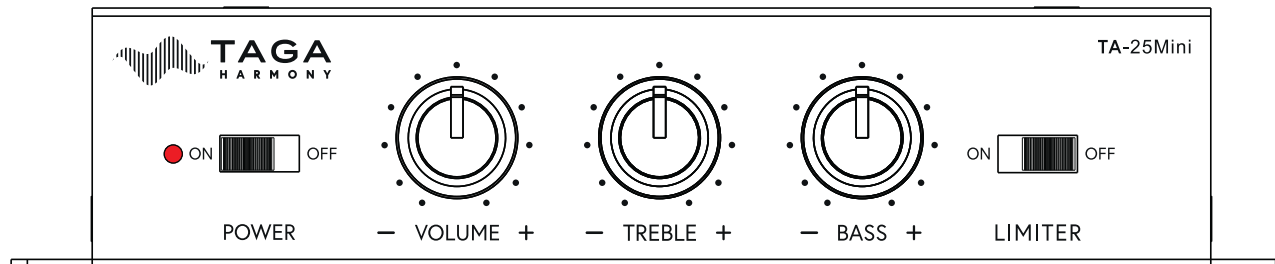




TA-25Mini v.2

CUSTOM INSTALL INTEGRATED AMPLIFIER



Instruction manual

Introduction

Thank you for purchasing this TAGA Harmony amplifier.

TAGA Harmony TA-25Mini v.2 is an efficient, cost-effective choice for home and commercial installations in restaurants, pubs, shops, conferencing rooms, fitness clubs for background music playback.

It is ideal for simple installations or as a part of big installations.

It delivers pure and distortion-limited power as well as rich sound performance with stunning accuracy, soundstage and dynamics.

KEY FEATURES:

- Efficient power supply (24V, 3A) and Class D amp provide **high power 2 x 50W at 4ohm**.
- **Easy placement** thanks to small dimensions and weight.
- **Rack handles**.
- **Low working temperature** and an external power adaptor allows for placement in closed areas (for example in ceilings or walls).
- **2 analog stereo inputs** (connected in parallel) RCA and 3.5 mm.
- **Preamplifier output** dedicated for an optional external power amplifier, a powered subwoofer or active speakers.
- **Limiter** to prevent clipping.

Cleaning

Do not use strong or abrasive cleaners. Use a damp, soft cloth for cleaning.

Specifications and the latest instruction manual edition

Full technical specifications and the latest edition of the instruction manual are available on www.Tagaharmony.com.

Contents

| | |
|---------------------------|----|
| Safety Instructions | 4 |
| Front and Rear Panel | 5 |
| Hooking Up Speaker Cables | 6 |
| Hooking Up the Amplifier | 7 |
| Operation | 9 |
| Additional Information | 10 |
| Specifications | 11 |
| Kit Content | 12 |

Safety Instructions

IMPORTANT

READ THIS SECTION CAREFULLY BEFORE PROCEEDING!



An exclamation mark in a triangle is intended to alert the user to the presence of important operating and maintenance (servicing) instructions in the literature accompanying the appliance.

WARNING: TO REDUCE THE RISK OF FIRE OR ELECTRIC SHOCK, DO NOT EXPOSE THIS APPARATUS OR THE POWER ADAPTER TO RAIN OR MOISTURE, AND OBJECTS FILLED WITH LIQUIDS, SUCH AS VASES, SHOULD NOT BE PLACED ON THIS APPARATUS OR ON THE POWER ADAPTER.

CAUTION: TO PREVENT ELECTRIC SHOCK, FULLY AND SECURELY INSERT THE POWER PLUG INTO THE POWER OUTLET, AND THE POWER CABLE CONNECTORS INTO THE UNIT AND THE POWER ADAPTER SOCKETS (IF THE POWER ADAPTER IS NOT EQUIPPED WITH AN INTEGRATED [ATTACHED] POWER CORDS).

CAUTION: FOR CONTINUED PROTECTION AGAINST RISK OF FIRE, REPLACE THE FUSE (IF THE UNIT OR THE POWER ADAPTER IS EQUIPPED WITH A USER REPLACEABLE FUSE) ONLY WITH THE SAME AMPERAGE AND VOLTAGE TYPE. IN CASE WHEN THE UNIT OR THE POWER ADAPTER IS NOT EQUIPPED WITH A USER REPLACEABLE FUSE - REFER REPLACEMENT TO QUALIFIED SERVICE PERSONNEL.

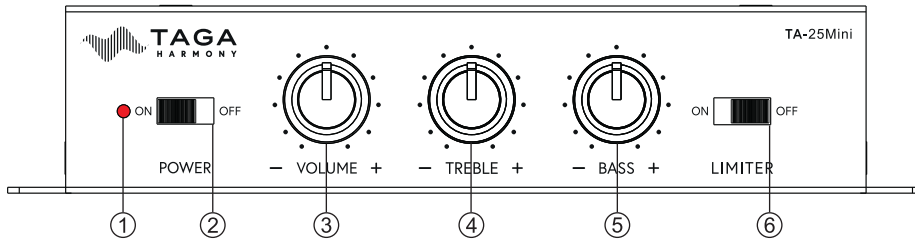
WARNING: THE UNIT AND THE POWER ADAPTER MAY BECOME HOT. ALWAYS PROVIDE ADEQUATE VENTILATION TO ALLOW FOR COOLING. DO NOT PLACE THE UNIT AND THE POWER ADAPTER NEAR A HEAT SOURCE, OR IN SPACES THAT CAN RESTRICT VENTILATION.

1. Read Instructions - All the safety and operating instructions should be read before the product is operated.
2. Retain Instructions - The safety and operating instructions should be retained for future reference.
3. Heed Warnings - All warnings on the product and in the operating instructions should be adhered to.
4. Follow Instructions - All operating and use instructions should be followed.
5. Cleaning - Unplug this product from the power outlet before cleaning. Do not use liquid cleaners or aerosol cleaners.
6. Water and Moisture - Do not use this product near water - for example, near a bath tub, wash bowl, kitchen sink or laundry tub; in a wet basement; or near a swimming pool; and the like. These precautions also apply to the power cords and power adapter.
7. Accessories - Do not place this product on an unstable cart, stand, tripod, bracket or table. The product may fall, causing serious injury to a child or adult and serious damage to the product. Use only with a cart, stand, tripod, bracket or table recommended by the manufacturer or sold with the product. Any mounting of the product should follow manufacturer's instructions and should use a mounting accessory recommended by the manufacturer.
8. Ventilation - This unit may be equipped with slots and openings in the cabinet (housing) which are provided for ventilation and to ensure reliable operation of the product and to protect it from overheating and these openings must not be blocked or covered. The openings should never be blocked by placing the product on a bed, sofa, rug or other similar surface. This product should be not placed in a built-in installation such as a bookcase or rack unless proper ventilation is provided or the manufacturer's instructions have been adhered to. For products equipped with separate power adapters, leave at least 5cm (2in.) of free space on all sides and the top of the power adapter.
9. Power Sources - This product should be operated only from the type of power source indicated on the marking label (placed on the product and / or, if applicable, on a separate power adapter unit). If you are not sure of the type of power supply in your home, consult your product dealer or local power company. For products intended to operate from battery power or other sources, refer to the operating instructions.
10. Grounding and Polarity - some units for proper operation or to take full advantage of their capabilities may require to be connected to a grounded power outlet - refer to the user manual for more information.
Some units or power adapters may have markings for the live (L) and neutral (N) conductors for power - in order to take full advantage of capabilities of such products, it is recommended to properly connect the polarity according to the markings on the unit - refer to the user manual for more information. Connecting the polarity not in accordance with the markings will not affect the durability and reliability of the device.
11. Power-cord Protection - Power supply cords should be routed so that they are not likely to be walked on or pinched by items placed upon or against them, paying particular attention to cords at plugs, convenience receptacles and the point where they exit from the product or the power adapter.
12. Lighting - For added protection for this product during a lighting storm or when it is left unattended and unused for long periods of time, unplug it from the wall outlet and disconnect the antenna or system cables. This will prevent damage to the product due to lighting and power-line surges.
13. Overloading - Do not overload wall outlets, extension cords or integral convenience receptacles as this can result in a risk of fire or electric shock.
14. Object and Liquid Entry - Never push objects of any kind into this product through openings as they may touch dangerous voltage points or short-out parts that could result in a fire or electric shock. Do not expose this apparatus and the power adapter to dripping or splashing and ensure that no objects filled with water, such as vases are placed on the apparatus or on the power adapter.
15. Servicing - Do not attempt to service this product yourself as opening or removing covers may expose you to dangerous voltage or other hazards. Refer all servicing to qualified service personnel.
16. Damage Requiring Service - Unplug this product from wall outlet and refer servicing to qualified personnel under the following conditions:
 - when power supply cords or plugs are damaged;
 - if liquid has been spilled or objects have fallen into the product;
 - if the product does not operate normally by following the operating instructions. Adjust only those controls that are covered by the operating instructions as an improper adjustment of other controls may result in damage and will require extensive work by a qualified technician to restore the product to its normal operation;
 - if the product has been dropped or damaged in any way;
 - if the product exhibits a distinct change in performance - this indicates a need for a service.
17. Replacement Parts - when replacement parts are required, be sure the technician has used replacement parts specified by the manufacturer or with the same characteristics as the original part. Unauthorized substitutions may result in fire, electric shock or other hazards.
18. Safety Check - Upon completion of any service or repairs to this product, ask the service technician to perform safety check to determine that the products is in proper operating condition.
19. Wall of ceiling mounting - The product should be mounted to a wall or ceiling only as recommended by the manufacturer.
20. Heat - The power adapter should be situated away from heat sources such as radiators, heat registers, stoves or other products that produce heat.
21. [Refer to products equipped with vacuum tubes] Tube Cage or cover - For your safety and to protect the vacuum tubes this product may be equipped with the factory installed vacuum tube cage or cover.
It is not recommended to remove the cage or cover unless it is required to change the vacuum tubes.
When the cage or cover is removed - do not touch the vacuum tubes - they may be hot and burn the skin!
22. Operating Environment - Operating environment temperature and humidity of the unit: +5°C to +35°C (+41°F to +95°F); less than 85% RH (cooling slots not blocked).

PACKAGING WARNING

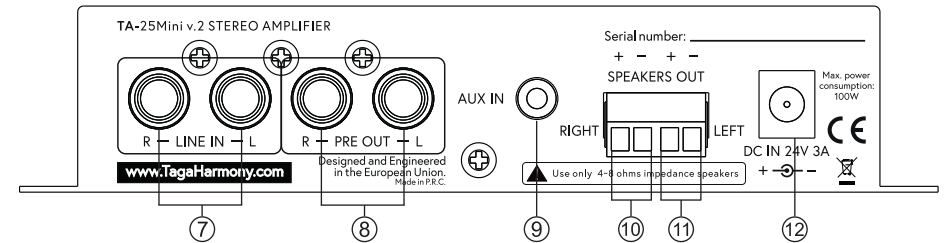
The packaging may contain elements such as plastic, that **should be kept away from small children**. The thin foil or small elements can stick to the nose and mouth, or may be swallowed and prevent breathing.

Front and Rear Panel



Front panel:

1. Power LED Indicator
2. Power Switch (ON and OFF)
3. Volume Regulator
4. Treble Regulator
5. Bass Regulator
6. Limiter (ON and OFF)



Rear panel:

7. LINE IN Analog Stereo RCA Input
8. PRE OUT Stereo RCA Output
9. AUX IN 3.5 mm (1/8") Stereo Input
10. Speaker Right Channel Output (Speaker Connectors)
11. Speaker Left Channel Output (Speaker Connectors)
12. DC Power Input

Hooking Up Speaker Cables

The Speaker Connectors can accommodate up to 18 AWG speaker cables.

It is recommended to leave about 150 cm (5 feet) of extra cable at the amplifier end to facilitate positioning and installation of the amplifier.

Do not use staples, nails or other metal objects to secure the cables.

You will get the best sound quality and least amount of hum by keeping the cables away from other electrical wires and cables.

Pay attention to connecting the polarity of the amplifier correctly with the speakers in each speaker group (speakers should be connected RED + with RED + amplifier connector, BLACK – with BLACK – amplifier connector).



Before connecting make sure that your amplifier is turned off.

Do not let bare speaker wires touch each other or any metal part of this unit it may damage this amplifier and / or speakers.

This may void your warranty.

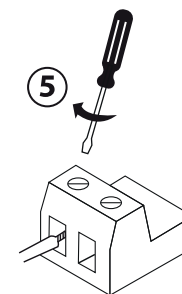
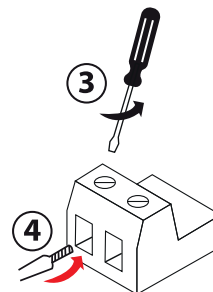
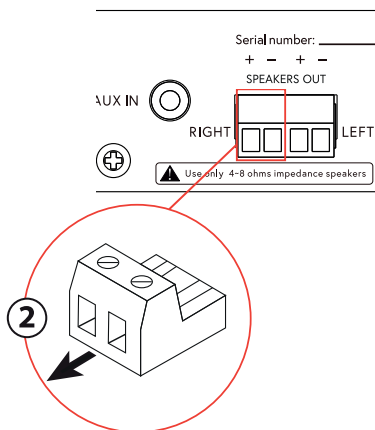
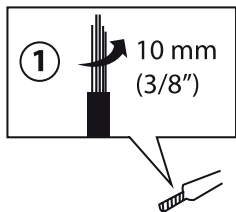
Please refer to your speaker instruction manual for more information.

Connecting speaker cables

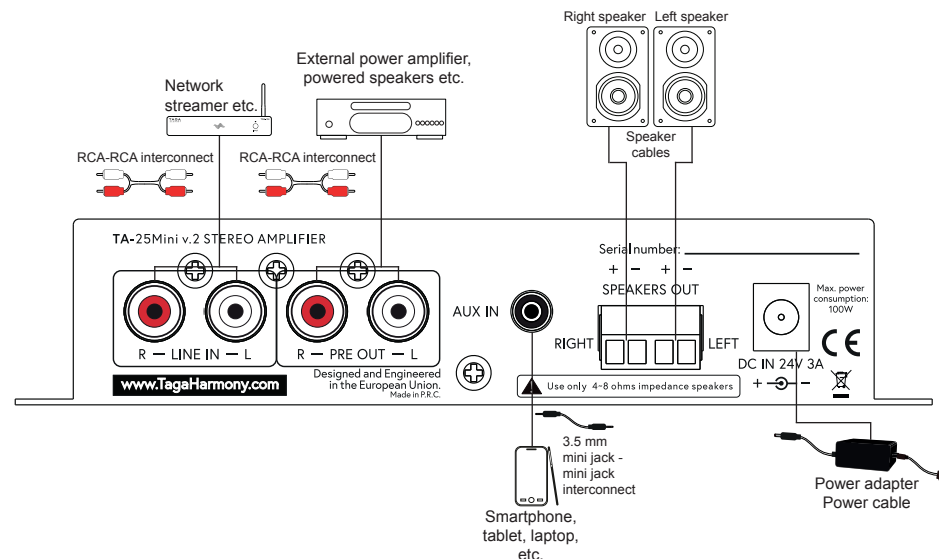
Speaker cables have 2 conductors. Each conductor should be connected to a separate speaker connector - mind the polarity while connecting.

For each conductor:

1. Remove approximately 1 cm of insulation from the end of the conductor. Twist the bare wires firmly together.
2. The speaker connector block terminal is removable. Remove it by pulling it from the back to the outside of the device.
3. Using a small slot-type screwdriver unscrew the terminal block's retaining screw which is placed on the top.
4. Insert the bare wires of the conductor into the block terminal's hole.
5. Tighten the screw, making sure that it's secure (the wire cannot be loose).



Hooking Up the Amplifier



1. Make sure the amplifier is turned off (the Power Switch is in the OFF, and the Power Cable is removed from the wall outlet).
2. Turn the Volume Regulator to MIN (max counter clockwise).
3. Using speaker cables connect your speakers to the SPEAKERS OUT.
Check "Hooking Up Speaker Cables" for more details.
4. If you want to play music from audio source devices equipped with an analog output (CD player, Satellite tuner, Network streamer, Music player, Smartphone, Laptop etc.) choose the corresponding interconnect cables and connect the devices to the analog inputs (LINE IN, AUX IN).
Check the table "External audio equipment connection options" for more details.



The amplifier has one audio input path, which has two audio inputs connected in parallel (LINE IN and AUX IN) - if two audio source devices are connected and play sound simultaneously, their audio signals will be mixed.



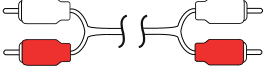


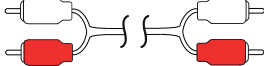



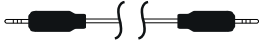
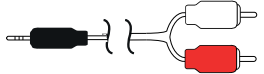
5. Pre-amplifier Output (PRE OUT):
this amplifier is equipped with the pre-amplifier output. Using an RCA-RCA interconnect you can connect to it an external amplification device (power amplifier, powered speakers, active subwoofer etc.) or a recording device (CD recorder etc.).
Check „Pre-amplifier Output Connection (PRE OUT)” for more details.
6. Your amplifier is ready for operation.



Only speakers within the range of impedance 4 - 8ohm may be connected to this amplifier. Connecting speakers outside this range may damage this amplifier and / or speakers. This may void your warranty.

Hooking Up the Amplifier

7. External audio equipment connection options:

| Input / Output TA-25Mini | Input / Output external equipment | Connection cable |
|--|---|---|
| LINE IN input  | Output - RCA sockets  | RCA-RCA interconnect (not supplied)  |
| PRE OUT output  | Preamp input  | RCA-RCA interconnect (not supplied)  |
| AUX IN input AUX 3.5 mm (1/8") input  | Outputs: 3.5 mm (1/8") socket  or RCA sockets  | 3.5 mm mini jack - mini jack interconnect (not supplied)  or 3.5 mm mini jack - RCA interconnect (not supplied)  |

The sockets and ports shown for external equipment and connection options may differ depending on the device.

Operation

1. Connect the Power Adapter to the amplifier and plug the Power Cable into the electrical outlet.
2. Turn on the amplifier – slide the Power Switch to the ON position.

The Power LED Indicator will turn on.

If it does not, it means that the amplifier is working under an abnormal condition (a protection mode) – turn off the power, unplug the Power Cable and check whether some of the cables are not short circuited.

After fixing the cables turn the amplifier on.

3. Turn on your audio source and start playback.
4. Regulate volume on the amplifier to adjust the level of sound.

Note! Check “Additional Information” for other useful operating instructions.



High volume levels may damage this amplifier and / or speakers.
This may void your warranty.

VOLUME regulator:

Using the Volume Regulator you can adjust the sound volume from minimum (the knob – max counterclockwise) to maximum (the knob – max clockwise).



Distortion and sound quality worsening may occur when the knob is in the maximum position. It may damage the amplifier and / or speakers.
This may void your warranty.

TREBLE regulator:

You can adjust treble output of the amplifier. The default: the knob is in the center position: the marker on the knob in the vertical position.

Turn the knob counterclockwise (-) to decrease the amount of high frequencies.

Turn the knob clockwise to increase the amount of high frequencies (+).

BASS regulator:

You can adjust bass output of the amplifier. The default: the knob is in the center position: the marker on the knob in the vertical position.

Turn the knob counterclockwise (-) to decrease the amount of low frequencies.

Turn the knob clockwise (+) to increase the amount of low frequencies (+).



Using the BASS / TREBLE regulators at high volume levels may damage this amplifier and / or speakers. This may void your warranty.

Preamplifier Output connection (PRE OUT):

This amplifier is equipped with the preamplifier output, which allows connecting amplification or recording equipment such as a power amplifier, powered speakers, active subwoofer or a CD recorder.

The audio signal from the preamplifier of this device is directed to the PRE OUT and its level is variable controlled by the Volume Regulator.

All sound adjustments (Bass / Treble) will affect the sound transmitted to the PRE OUT. The output to the SPEAKERS OUT is still active and it works simultaneously with the PRE OUT.

LIMITER:

ON: Limiter is active. It prevents clipping of the amplifier. It is used to dynamically bring the levels of the loud audio signal parts down.

OFF: Limiter is inactive.

Additional Information

Break-In

Your TAGA Harmony amplifier sounds great immediately after it is taken out of the carton but as in all amplifiers, the internal components of this amplifier require a “break-in” period to reach its full sonic capabilities.

During the “break-in” period it is recommended to operate the amplifier at moderate volume levels.

The first level of the “break-in” is reached after approximately 10 hours of play.

The optimal level of the “break-in” is reached after approximately 40 to 60 hours of play.

Turn off procedure

Make sure to turn off the amplifier first when powering down your system.



If the amplifier was turned off even for a short period of time, you should wait at least 2 minutes before turning it back on.
Do not turn it ON then OFF and then ON again in quick succession.

Follow this procedure each time you turn your amplifier OFF / ON.

This precaution will minimize the stress (high voltages) on internal components.

Noise floor

It is a normal phenomenon that an amplifier may produce some amount of noise (called noise floor or self-noise) which can be audible in speakers and headphones (in one or both channels).

Power transformer – Power filters and conditioners

It is a normal phenomenon that the device’s power transformer may generate a certain amount of audible noise.

Very loud operation of the power transformer may be caused by low quality of power supply (voltage surges etc.).

In such a case, we suggest using a power filter or conditioner - you can also try to power this product from a different power line than other devices (e.g. from a power outlet in another room).

Specifications

The parameters measured with the Limiter turned off.

| | |
|-------------------------------------|--|
| Design | Custom Install stereo amplifier Class D |
| Power Output / impedance | Maximum output power (THD = 2%) 2 x 50W 4ohm 2 x 30W 8ohm |
| Analog inputs | Line (RCA), AUX (3.5 mm) |
| Analog outputs | RCA PRE OUT |
| Frequency Response | 30Hz - 18kHz (± 3 dB) |
| Total Harmonic Distortions | $\leq 0.5\%$ (1kHz 1W) |
| Signal/Noise ratio | ≥ 80 db |
| AC power / power consumption | AC-DC Power Adapter 100-240V 50/60Hz 1.5A [DC output 24V 3A] Operation max 100W |
| Dimensions (H x W x D) | 3.2 x 13.8 (15.8 cm incl. rack mount) x 11 cm |
| Weight | 0.46 kg / pc. |

We reserve the right to change the technical data and the design of the product without notice as a result of further development.


We strongly advise to contact a professional installer or dealer in order to install TAGA Harmony products.

We recommend using high quality TAGA Harmony cables and other installation accessories.


Kit Content:

| | |
|--------------------|------|
| Amplifier | 1 EA |
| Power Adapter | 1 EA |
| Power Cable | 1 EA |
| Instruction Manual | 1 EA |

EU declaration of conformity

| | |
|---|--|
|  | <p>Your product is marked with the symbol shown on the left. As its manufacturer, hereby we declare that the product is in compliance with the following EU directives and regulations: 2014/30/EU (EMC) & 2014/35/EU (LVD) & 2011/65/EU (RoHS)</p> <p>The full text of the EU declaration of conformity is available from the manufacturer.</p> |
|---|--|

Disposal of the product

| | |
|--|--|
|  | <p>Disposal of old electrical & electronic equipment (applicable in the European Union and other countries with separate collection systems)</p> <p>This symbol on the product or on its literature and packaging indicates that this product shall not be treated as household waste. Instead it shall be handed over to the appropriate collection point for the recycling of electrical and electronic equipment. By ensuring that this product is disposed of correctly, you will help to prevent potential negative consequences for the environment and human health, which could be caused by inappropriate waste handling of this product. The recycling of materials will help to conserve natural resources. For more detailed information about recycling of this product, please contact your local government office, your household waste disposal service or the shop where you purchased the product.</p> |
|--|--|

TAGA EUROPE
POLPAK POLAND Sp. z o.o.
AL.JEROZOLIMSKIE 331A
05-816 REGUŁY K/WARSZAWY,
POLAND
Email: Sales@TagaHarmony.com

www.TagaHarmony.com